

## Preparing a Self-Propelled Aerial Work Platform for Transport

### General Guidelines

As there are a wide range of transport vehicles and aerial work platform designs, this tip sheet can only provide general guidance on how to load, unload and secure a self-propelled boom and scissor aerial work platform for transport.

Operators and drivers should always read, understand and obey the aerial work platform and transport vehicle manufacturers' instructions regarding proper loading, unloading and transporting. Operators and drivers should also follow industry best practices, employer rules, good judgment, OSHA regulations and common sense to avoid any hazards.

Only qualified aerial lift operators should move an aerial work platform on, or off, the transport vehicle.

Drivers are solely responsible for making sure machines are properly secured and the correct transport vehicle is selected pursuant to US Department of Transportation regulations, other localized regulations, and their company policy.

### Preparing the Transport Vehicle

- Be sure the transport vehicle capacity, loading surfaces and chains or straps are sufficient to withstand the machine weight. Aerial work platforms are very heavy relative to their size. See the serial label for the machine weight.
- The transport vehicle must be parked on a level surface.
- The transport vehicle must be secured to prevent rolling while the machine is being loaded or unloaded.
- Truck deck must be clean

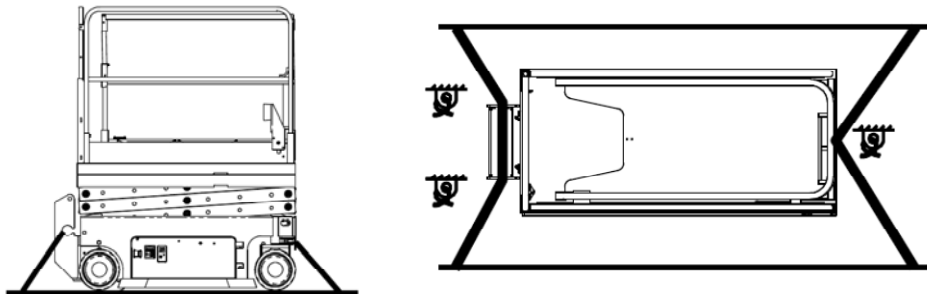


Figure 1. Example - Securing Scissor Aerial Work Platform for Transport

### Loading and Unloading

- Do not drive the machine on a slope that exceeds its uphill, downhill or side slope rating. Refer to the operator's manual for information and restrictions regarding driving on slopes. If the slope of the transport vehicle exceeds the maximum slope rating, the machine must be loaded and unloaded using a winch or, if weight allows it, a forklift can be used. When using a winch, follow the manufacturer's instructions regarding the use of the winch and release of the machines wheel brakes.
- Always use the lowest practical travel speed during loading and unloading.
- Always check your load height clearance.
- Always keep clear view of the path of travel.
- When loading, always take into consideration the position of the machines center of gravity for proper weight distribution on the transport vehicle. This information is commonly found in the operator's manual.

### Securing the Machine for Transport

- Place the machine in the fully stowed and secured position according to the manufacturer's instructions. For booms, this may include using a turntable rotation lock pin to prevent the turntable from rotating during travel.
- Ensure you wear fall protection when required.
- Ensure the machine is clean of construction debris.
- Secure the machine according to the manufacturer's instructions, using straps or chains attached at the designated locations. Diagrams have been provided below for example only.

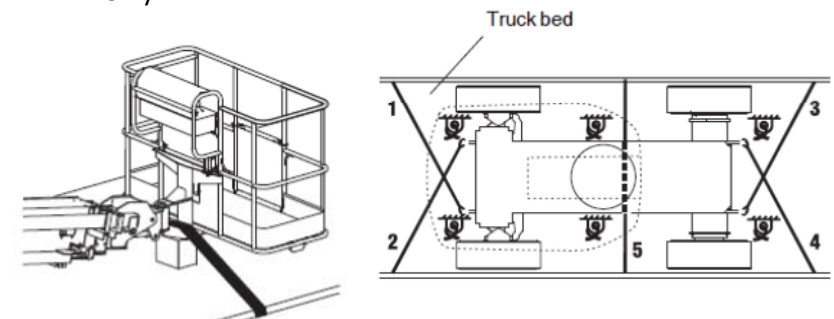


Figure 2. Example - Securing Boom Aerial Work Platform for Transport